

## GRAB RAILS &amp; BACK RESTS

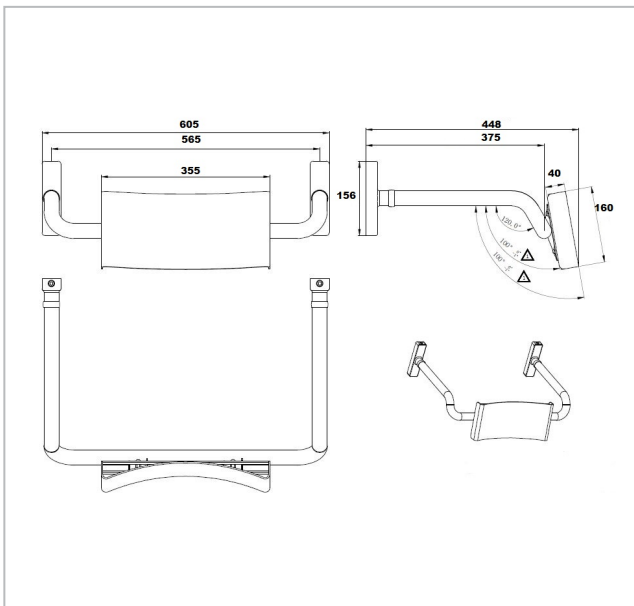


## MLR119CVP Vandal Proof Curved Backrest

### SPECIFICATIONS

<b>Material</b>	#304 Satin Stainless Steel Frame & Mounts, #304 Satin Stainless Steel Backrest
<b>Mounting</b>	Concealed Fix
<b>Features</b>	20mm Adjustable Height on Backrest Backrest is secured using tamper resistant security screws (supplied with unit)
<b>Backrest Standoff</b>	Adjustable depth to suit installation requirements
<b>Note</b>	Installation instructions provided * This unit is accessible compliant when installed in accordance with AS1428.1. guidelines.
<b>Related Video</b>	<a href="#">Stainless Steel Cleaning &amp; Maintenance</a>

### SUITABLE APPLICATIONS



The photographs and line drawings of the products presented above are representational only.  
Metlam Australia Pty Ltd reserves the right to, and from time to time, make changes and improvements in design and dimensions.